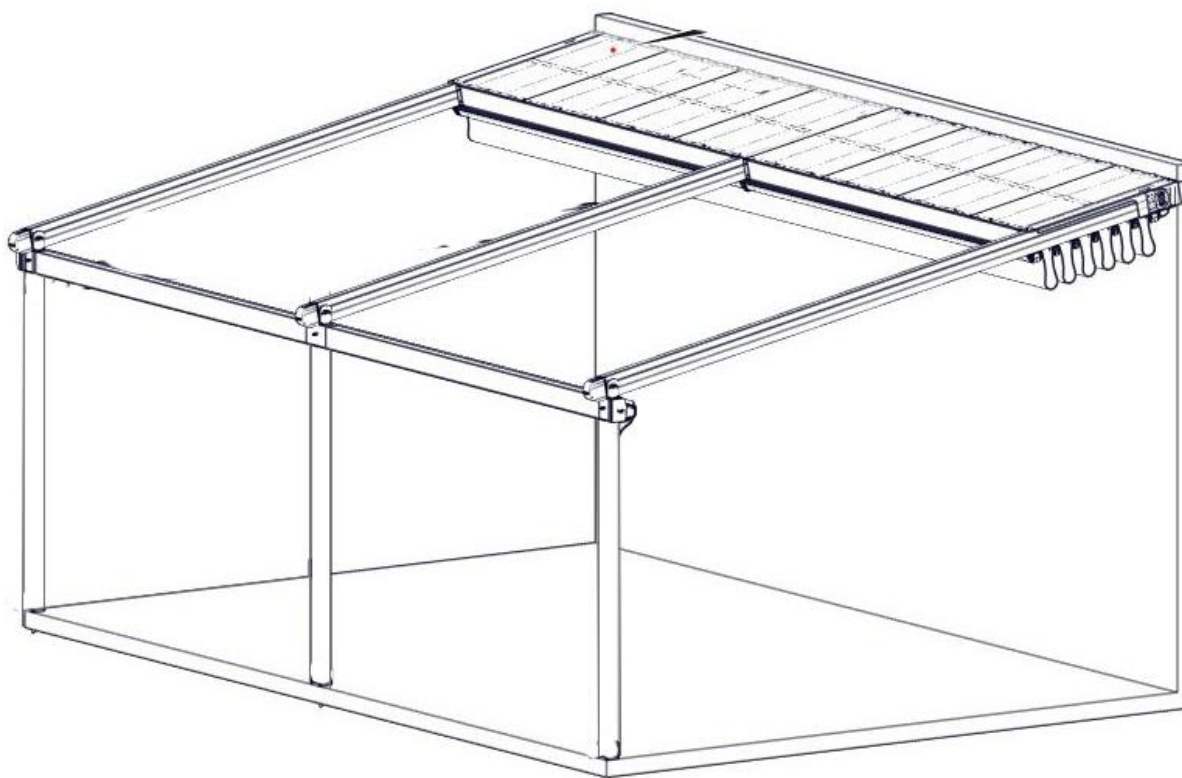


User manual / Assembly instructions Deponti Retractable Roof Pergola

Type Verdeca

Version: EN – April 2023



www.deponti.com



Contents

1. Introduction	3
2. Safety precautions and warnings	3
3. Product features	5
4. Parts overview	6
4.1 Exploded view	6
4.2 Motorization	7
4.3 Hardware details	7
4.4 Delivery inspection	10
5. Preparation for assembly	11
5.1 Conditions for assembly	11
5.2 Inspection of tools and accessories	12
6. Assembly	13
6.1 Structure installation	13
6.2 Installation motor unit and fabric	18
6.3 Installation of cross rafters and ceiling sheets	21
7. Programming instructions	23
7.1 Remote control	24
7.2 Programming the motor	25
7.3 Resetting the motor	25
7.4 Programming the LED control panel	26
7.5 Resetting the LED control panel	26
7.6 Using of the Remote control	26
8. FAQ	27
9. Maintenance	27
10. Disposal of waste	27
11. Warranty conditions	28
12. Contact	28

KEEP THIS MANUAL IN A SAFE PLACE FOR FUTURE USE!

For the duration and the terms and conditions of the warranty we recommend that you contact your Deponti partner. We also refer you to our General Terms and Conditions of Sale and Delivery which are available on request. Deponti B.V. accepts no liability for any damage or injury resulting from a failure to carefully follow the instructions in this manual or exercise due caution during transport, assembly, use and maintenance of the Pergola. As a result of our policy of continuous product improvement, certain product details may differ from what is described in this manual. For this reason the instructions provided only serve as a guideline for installation of the product this manual describes. This manual has been compiled with the utmost care, but Deponti B.V. cannot be held responsible for any errors in this manual or the consequences thereof. Furthermore, all rights are reserved and no part of this manual may be reproduced in any way whatsoever.



1. Introduction

Congratulations on the purchase of your Deponti Pergola!

Before you can start enjoying your Pergola it must be assembled properly. This manual provides clear instructions for all the steps you must complete for correct assembly of your Deponti Pergola. We recommend that you take the time to read the entire manual before you begin assembly.

Check whether you have received all the necessary parts before you begin assembly. For your safety, follow all the applicable instructions. This also guarantees the safety of the installed roof. If you should have any questions, please feel free to contact your Deponti partner.



READ
CAREFULLY

This manual should be kept in a safe, dry and shady place. In the event of damage or loss, the user must request a new copy of the manual from the Deponti representative.

2. Safety precautions and warnings

Important:



Please read the safety precautions and warnings before assembling the pergola.

- During assembly, carefully follow the instructions and guidelines as described in this manual. Never change the order of the steps to be performed. If any aspect of the assembly procedure is unclear, please contact your Deponti representative. We reserve the right to make technical changes without written notice.
- We normally recommend that the pergola must be assembled by at least two people (qualified technicians/authorized installers) working together.
- Check the delivery immediately upon receipt. In the event of damage or an incomplete delivery please contact your Deponti partner immediately.
- The materials must be stored in a dry, ventilated area, not exposed to direct sunlight.
- Open the packaging carefully. Make sure that you do not damage the product.
- To prevent damage to your pergola, place the parts on a smooth, clean surface. Place the profiles on a flat surface, protected from sun and rain.





2. Safety precautions and warnings (continued)

- Adding or removing parts, the use or installation of materials. other than described in this manual, may adversely affect the safety of the pergola and is therefore strongly discouraged!
- Pay attention and be aware of moving parts. Make sure that all power supply is cut off during the assembly.
- Cordon off the assembly location so that others are kept at a safe distance.
- Always wear the correct protective clothing (work gloves, dust mask, safety glasses, shoes with non-slip soles, etc.) during installation or servicing.
- Mount the system against a firm, flat wall and on a flat and stable foundation. Ensure that the wall and the ground are clean and dry.
- You must maintain and clean your pergola at least once a year. During this yearly maintenance make sure all fasteners are properly tightened.
- Dispose the product in accordance with local laws and regulations.
- When safety regulations and instructions are not followed correctly, Deponti B.V. will not accept any responsibility for damage(s) and injuries.



3. Product features

The **Verdeca Pergola** is a retractable system which has a tilted form. It consists of an aluminium structure and fabric. This product requires a minimum slope value due to its characteristic feature and healthy drainage.



- The Verdeca is water and airtight. It protects against sun and rain.
- Wind resistance is 11 Beaufort by all sides open and 7 Beaufort by side enclosure. Calculated for products with a front height of 250 cm according to Eurocode EN 1991-1-4 Terrain Category 4.
- This system has limited snow load capacity which is 15 kg/m² therefore it should always be in retracted position if snow is expected or it start snowing.
- The belts are installed into each rail and driven by pulleys and single drive shafts to ensure fabric movement.
- The Verdeca Pergola retractable system is operated by an electric motor via a radio control transmitter.

Available dimensions of the Verdeca:

Width (mm): 4000 / 5000 / 6000
 Projection(mm): 3000 / 3500 / 4000

This product requires a min. slope value due to its characteristic feature and healthy drainage. The slope value depends on the product dimensions.

Below table is showing the minimum slope values [cm] for all available dimensions.

Minimum slope (in cm)

Width	Projection		
	300	350	400
400	37	44	52
500	21	25	30
600	26	32	37

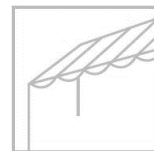
The maximum slope is 25 cm per meter.

If the Deponti Pergola Verdeca is installed with a slope of > 25% the product will be out of warranty.

**Optional: built-in LED lighting in the fabric*

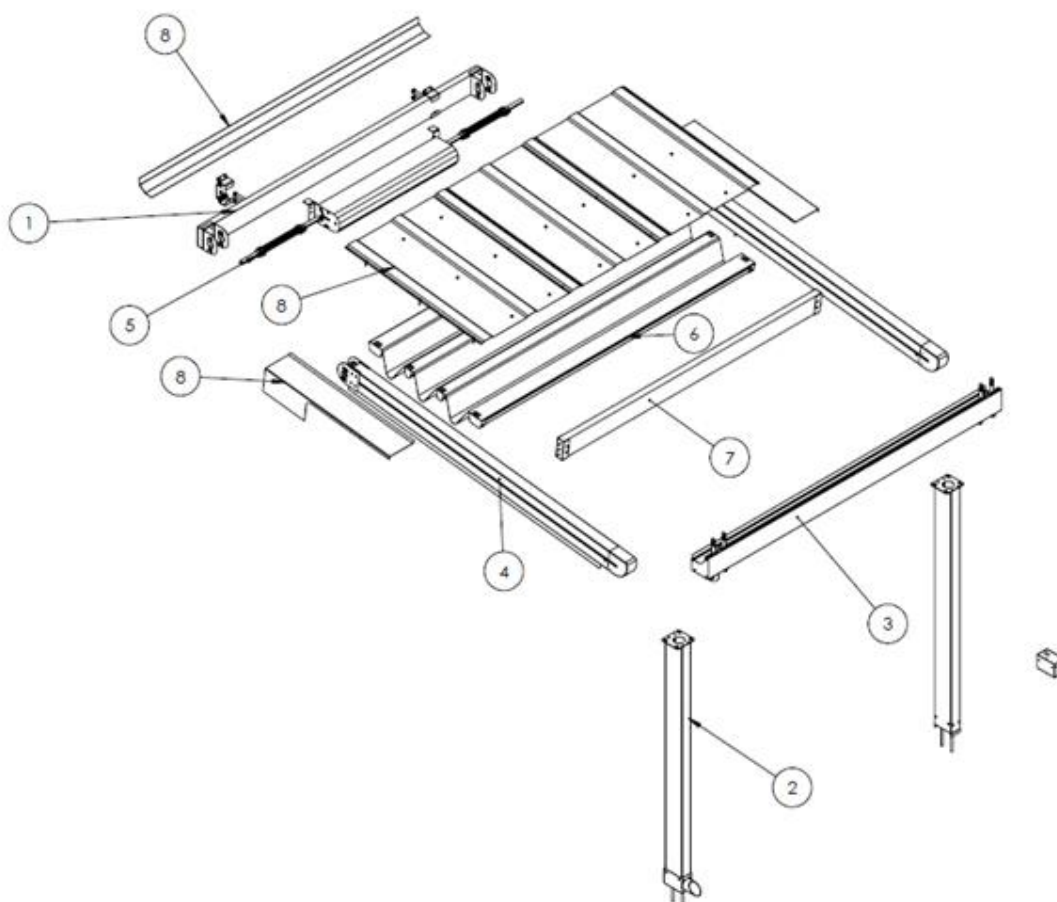
Application type:

The Verdeca has a retractable system with a tilted form and has to be mounted to a wall. With a single motor opening and closing of the roof is motorized and controlled by a remote control



4. Parts Overview

4.1 Exploded view



1	Wall profile	5	Motor unit
2	Post	6	Fabric
3	Gutter	7	Cross rafter
4	Rafter	8	Side cover profiles, ceiling sheets and wall finish profile



4.2 Motorization

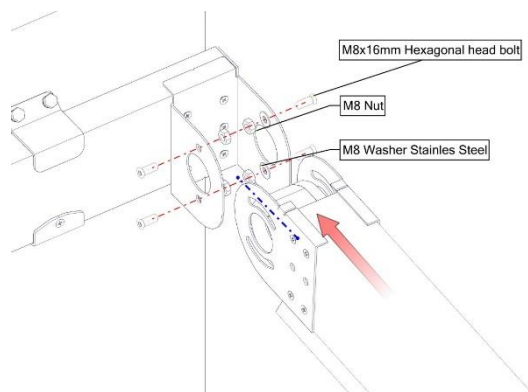
The Verdeca pergola is using a single motor from Somfy.

The motor is controlled and operated by a remote control. The Somfy remote is provided.

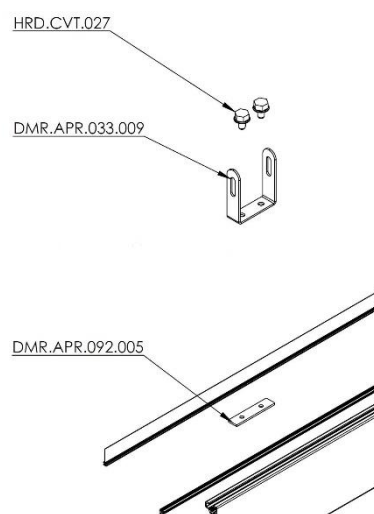
4.3 Hardware details

Rafter - Wall profile connection

- a. M8x16mm hexagonal head stainless steel bolt
- b. M8 stainless steel washer
- c. M8 stainless steel nut

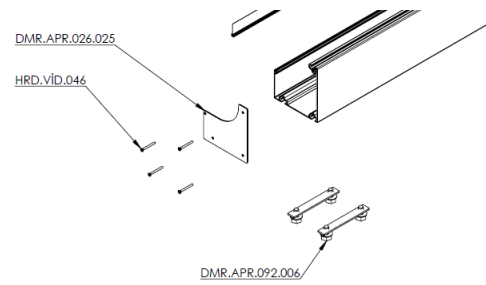
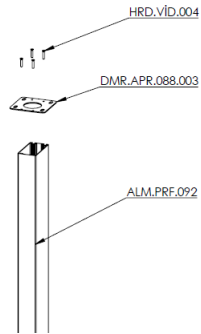


Rafter - Gutter connection



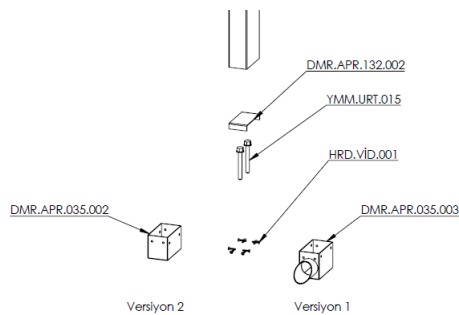


Post – Gutter connection



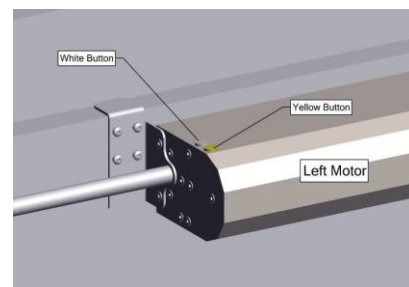
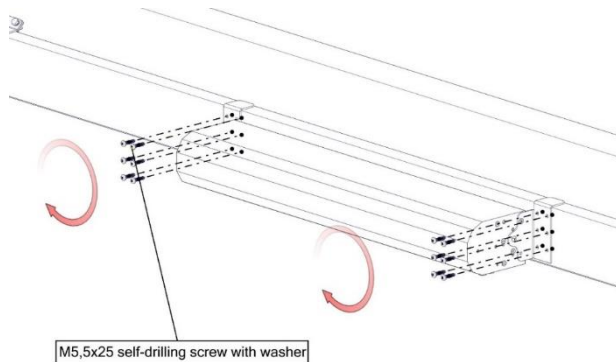
Pillar – Ground connection

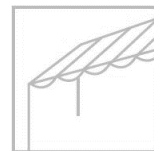
Use materials suitable for your situation.



Motor unit – Wall profile connection

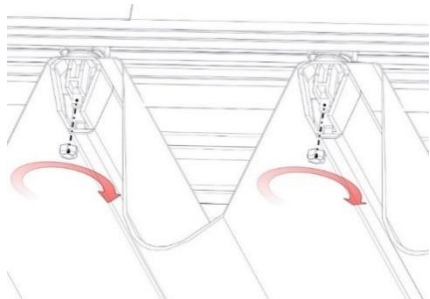
a. M5.5x25mm self-drilling screw with washer





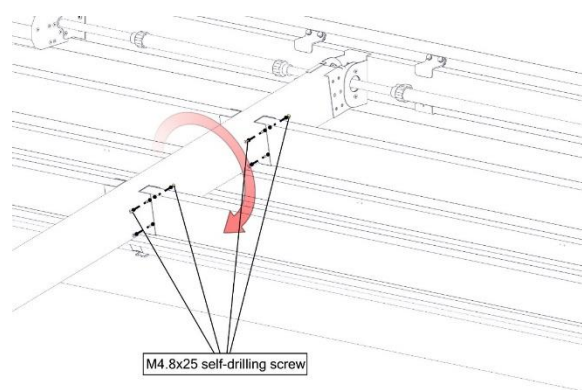
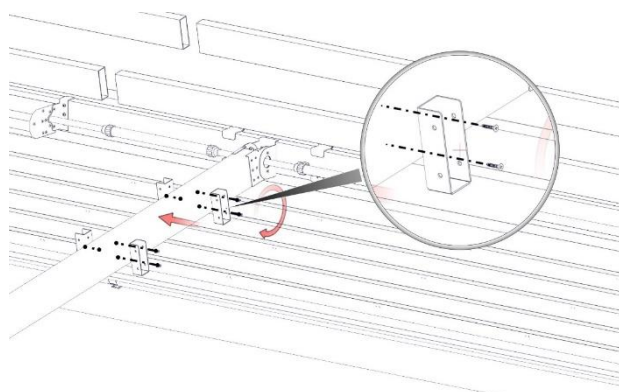
Fabric – Carrier (rafter) connection

M8 nut with sealant



Cross rafter – Rafter connection

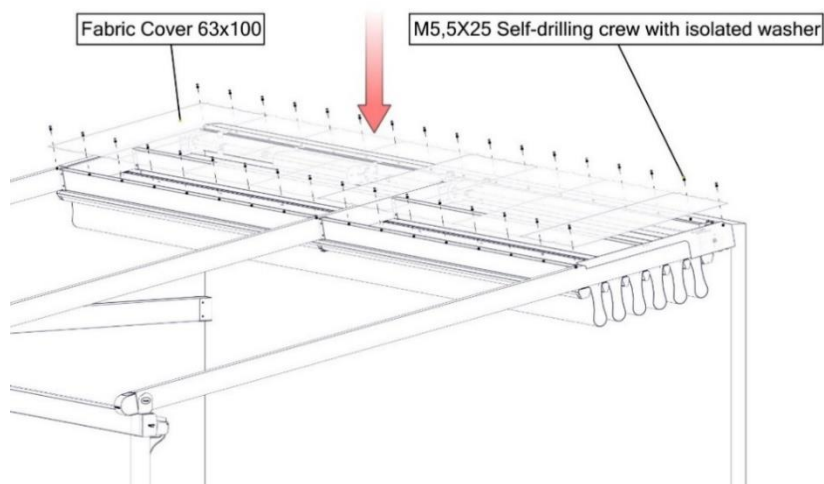
- a. M4.8x25mm self-drilling screw (3x)
- b. M4.8x25mm self-drilling screw (6x)





Fabric cover sheet – Cross beam connection

- a. M5. 5x25mm self-drilling screw with washer



4.4 Delivery Inspection

Always carefully check the delivered items against the accompanying delivery note to ensure that the quantity and quality are correct. Any visible defects must be reported in writing within 7 days of delivery.

Note:

- Boxes with red label: Electronic parts like Control Unit Box, Remote Controls.
- Boxes with blue label: Metal parts like U Brackets, Mounting brackets, Gutter caps, screws.
- Boxes with yellow label: Plastic parts like Rubber for the gutter, caps, motor shaft drive transmitter.



5. Preparation for assembly

5.1 Conditions for assembly

Ground & wall

- A good flat stable surface is required for construction of the pergola.
- The location where the system is placed must be construction-ready and free of obstacles (garden furniture, flower boxes, etc.) so installers can perform their work without hindrance.
- Any obstacles, including utility lines (such as power cables, etc.), roots and debris, must have been removed from the ground.
- The wall must be free of sun shades, etc.
- The area where the wall profile will be placed must be firm, even and flat.

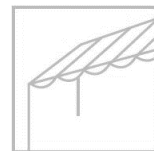
Attachments at walls

- Due to expansion of the materials, the pergola may not be placed tightly between two walls; there must be a gap of 1.5 mm per metre of width of the pergola.

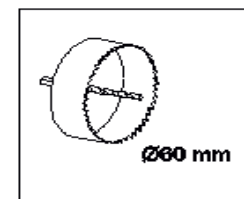
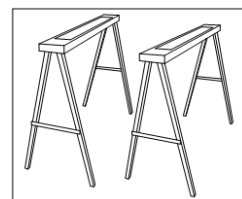
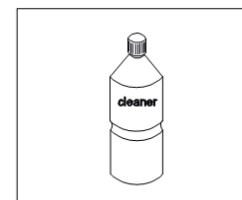
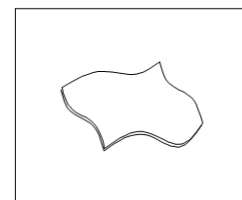
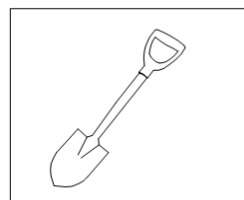
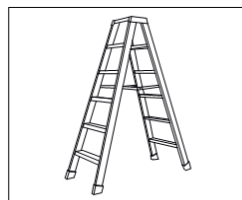
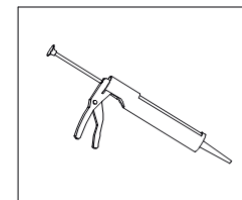
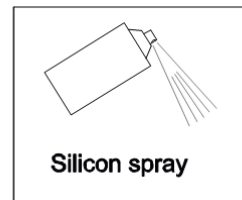
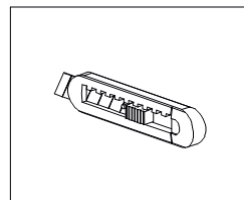
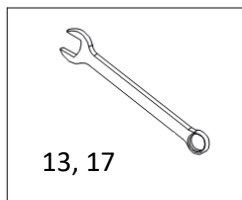
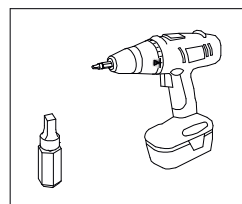
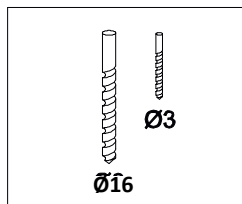
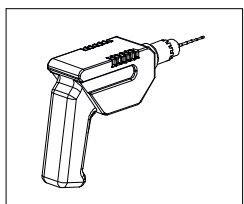
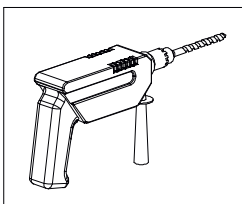
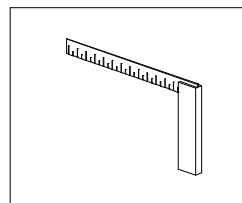
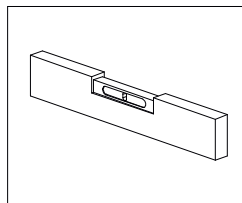
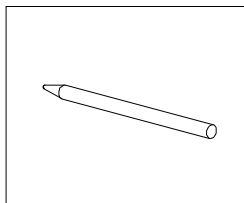
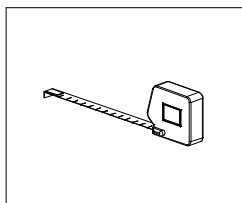
Rubber seals

- A Deponti pergola is standard equipped with black pre-assembled rubber seals.
- If the rubber seals are deformed, they can be straightened with a little heat, from a hot air heater or hair dryer for example.

Warranty expires if the Verdeca Pergola is not assembled and installed in accordance with the instructions.



5.2 Inspection of tools and accessories



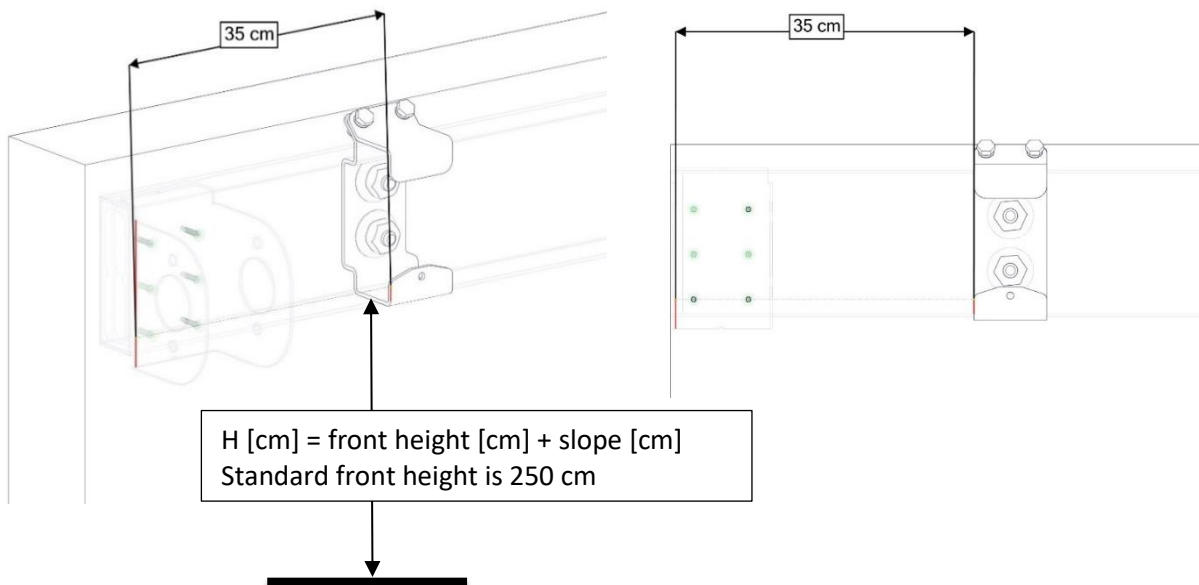


6. Assembly

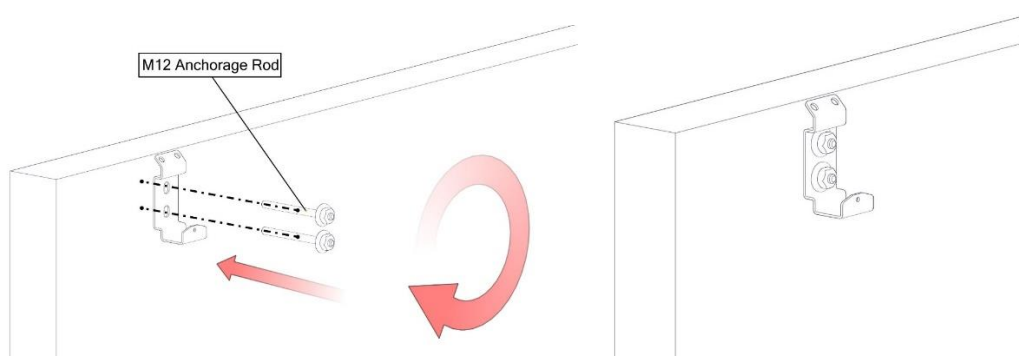
6.1 Structure installation

1. Wall bracket installation:

The wall brackets must be installed 35cm from the end of the rails.

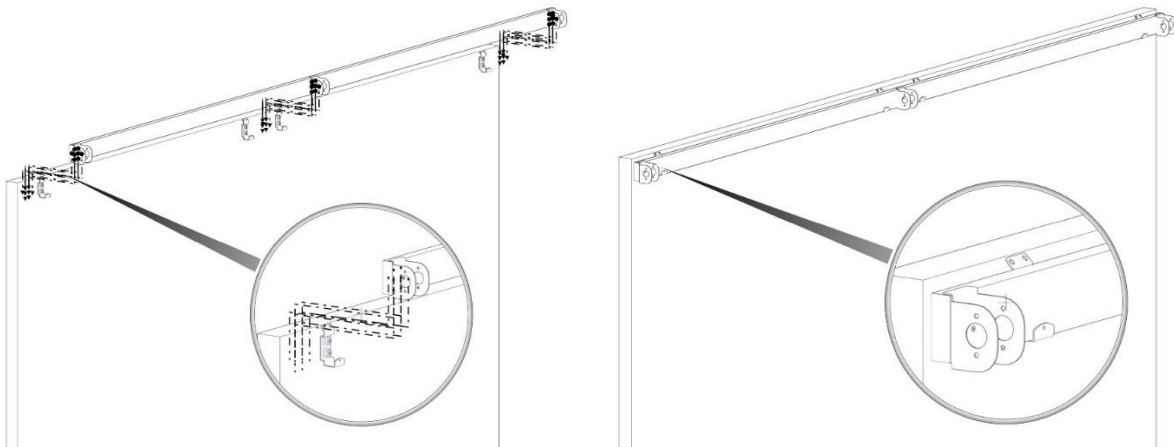


2. Fasten the brackets to the wall/ Use the correct hardware for your situation. We suggest to use minimum M12.

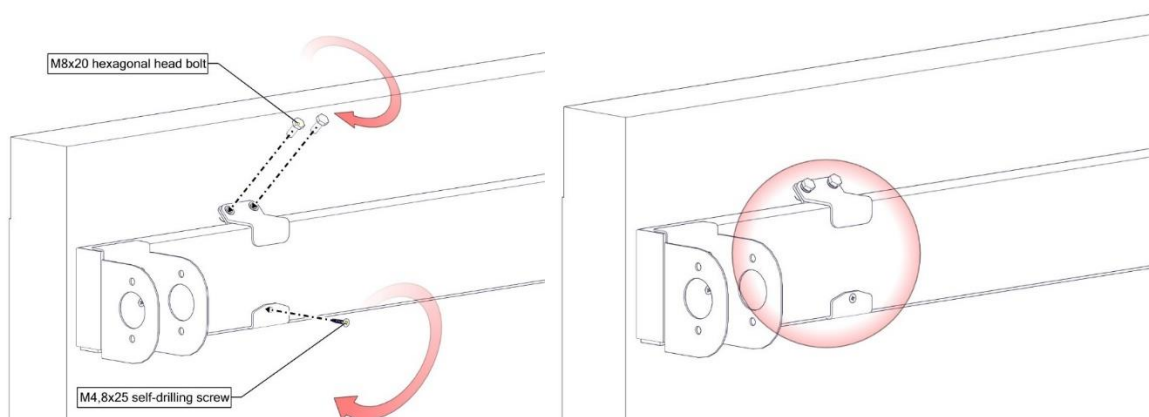


3. Install the wall profile on the wall mounting brackets.

NOTE: Don't work alone. You may need someone else while placing of the back profile.



4. Fasten and tighten the wall mounting bracket bolts



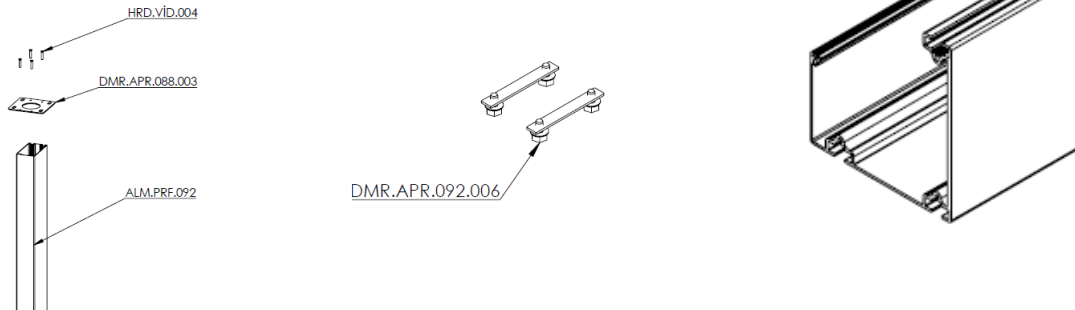
5. Next step is Pre-drilling hole(s) in the gutter profile for rainwater discharge. The rainwater discharge can be easily achieved by drilling a hole in the gutter at the position where the post meets the gutter. The post then serves as rainwater discharge pipe.

- Place the gutter on a flat and firm surface.
- Determine where the rainwater discharge will be placed, i.e. at the left or right end of the gutter. Mark the position and dimensions of the hole.
- Now carefully drill the hole in the gutter with the hole saw. (advised size $\varnothing 60$ mm).



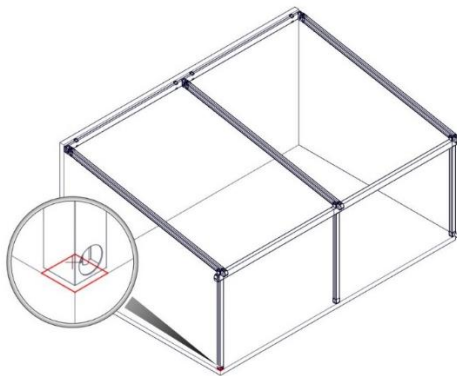
6. Gutter and front posts:

The gutter and front posts should be connected to each other on ground

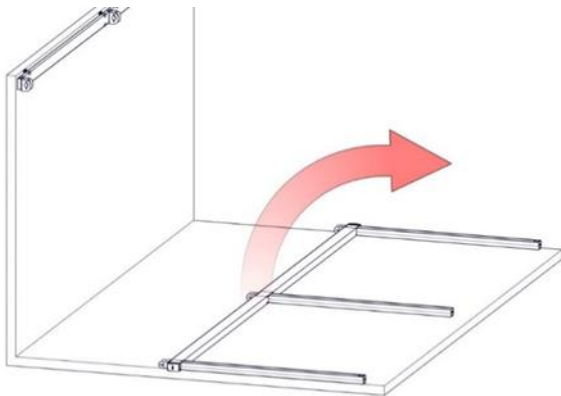


7. Post fixing:

Define the exact post position and mark it. Install the anchorage to the ground surface using correct hardware for your situation.

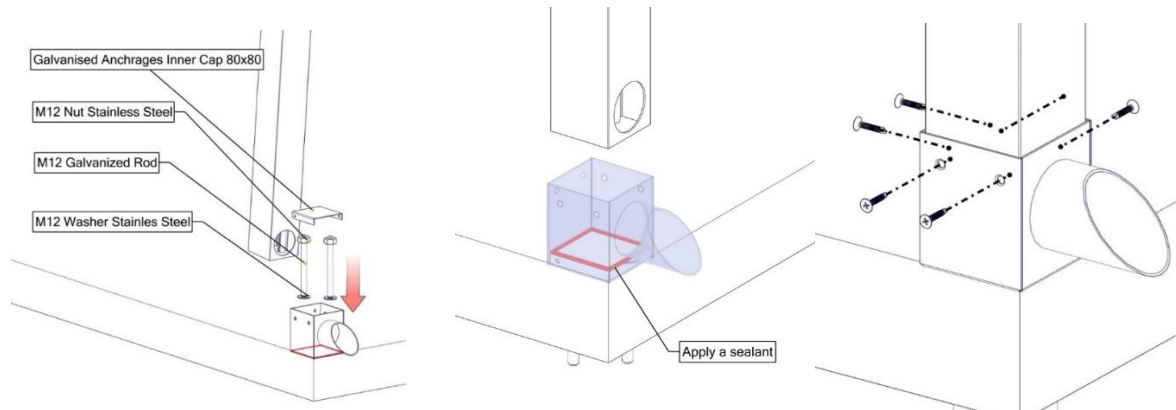


before you lift as you shown image at below. In this situation you may need some people since you must hold to posts as carefully.

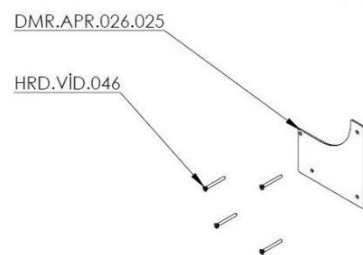




8. Slide the post on top of the stainless steel anchorage and screw tight.

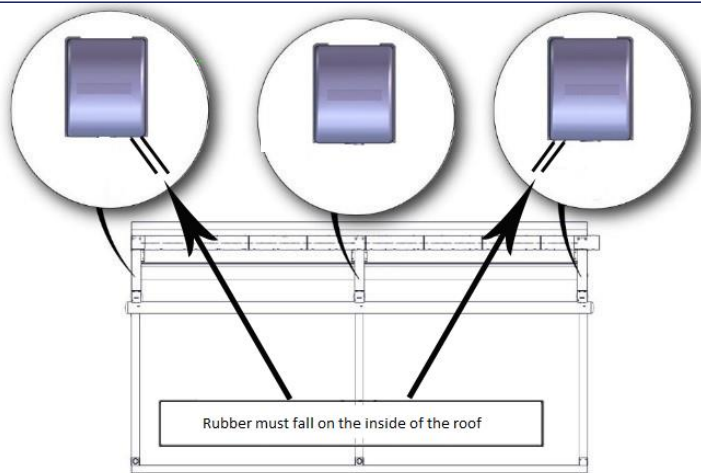


9. Slide the rubber flap in and place gutter cover and fasten the screws.

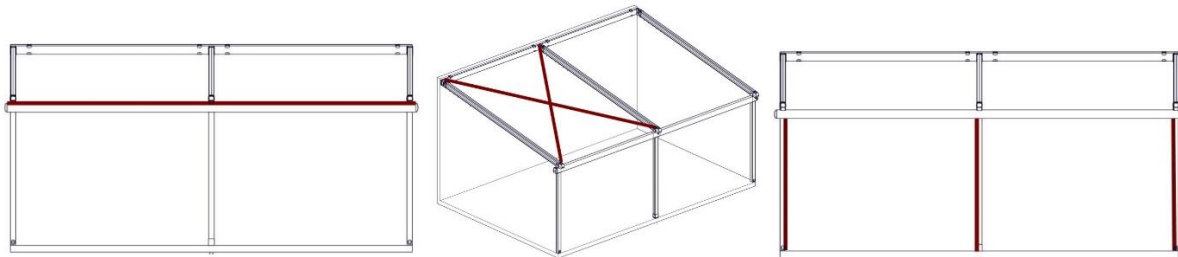


10. Rafter placing: There are two types of rafters. One without gasket (only delivered if 3 posts are used – width exceed 4.5 m) and two with gasket (this is located on the bottom of the rail). When you look from the front side, the gasket must be inside of the system as you see at below picture.

NOTE: When fastening the rail bolts to the back beam and front beam you might need someone else according to rail weight and length.



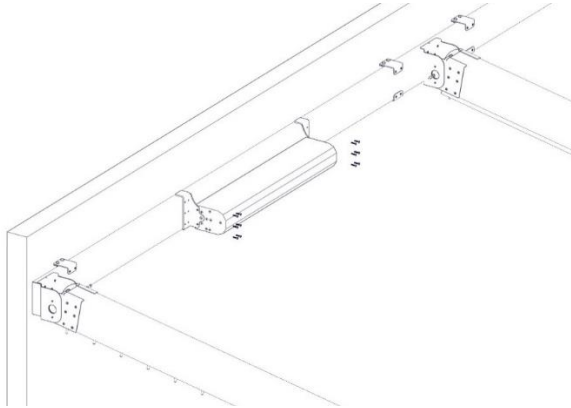
11. Check if the structure is level on all sides.



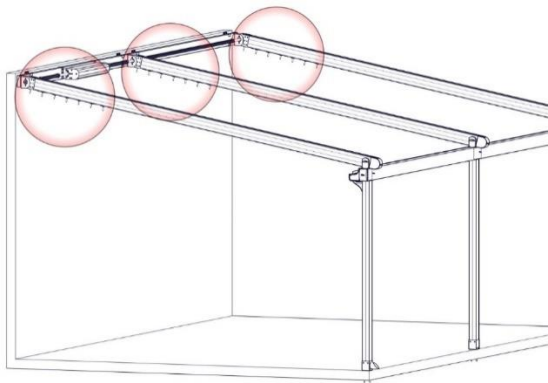


6.2 Installation motor unit and fabric

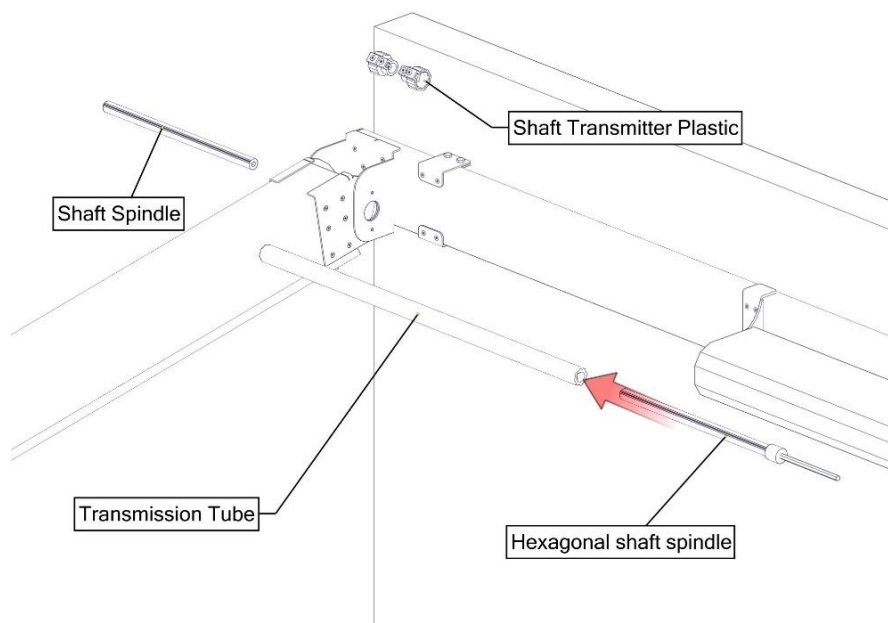
1. Install the motor box in the centre between two rafters.



2. All carriers must be on the back of the rails.

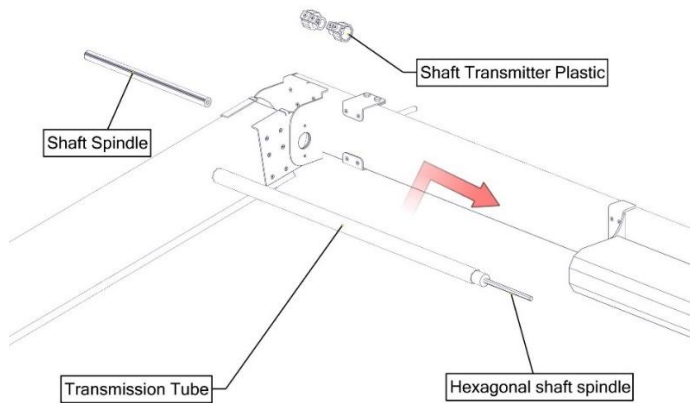


3. Place a hexagonal shaft spindle into the transmission tube.

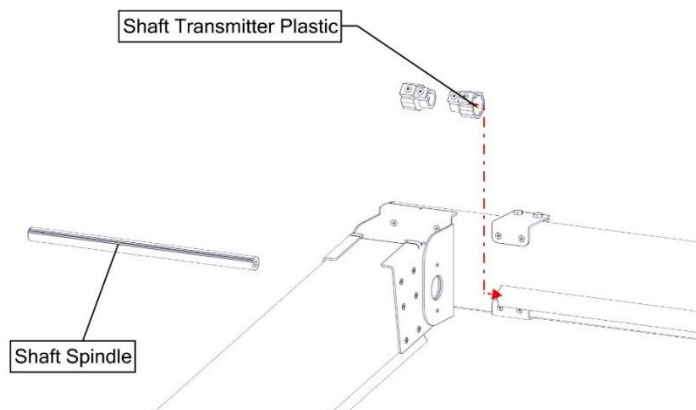




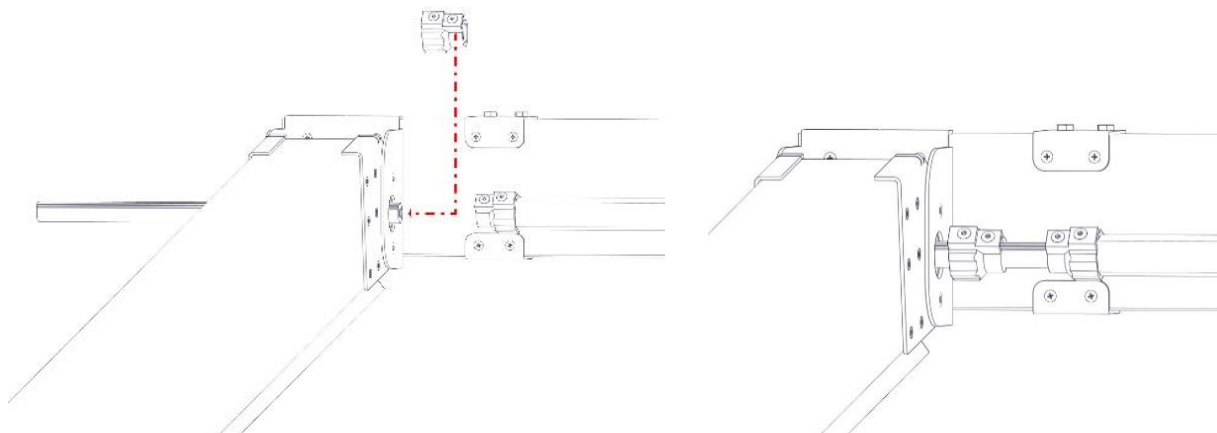
4. Place the hexagonal shaft spindle and transmission tube into the motor as you see on the figure below.



5. Insert a shaft transmitter plastic on to the transmission tube on the inside of the system.

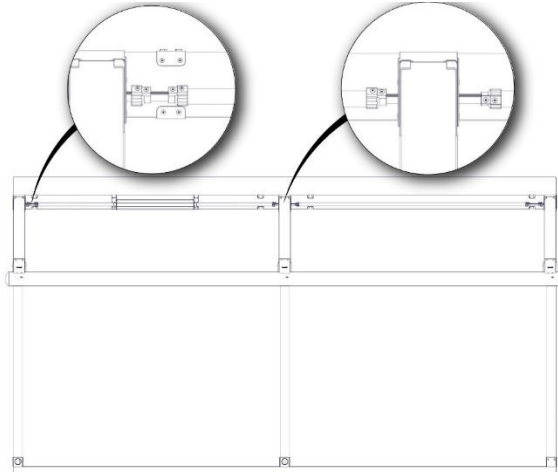


6. Place a shaft spindle through the rail and insert the shaft transmitter plastic on the spindle to connect to the other spindle.





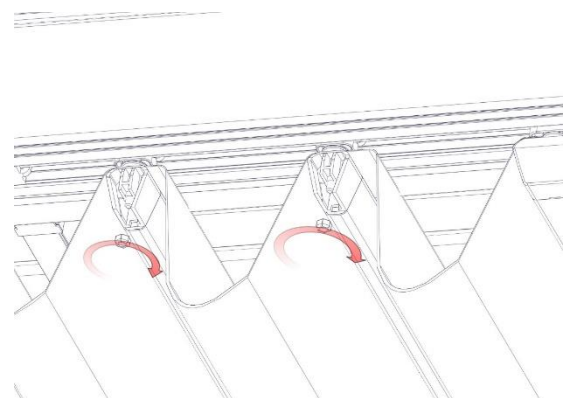
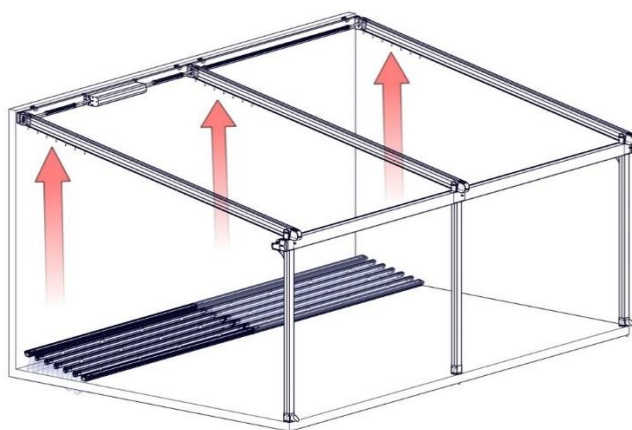
7. Fasten the bolts on the shaft transmitter plastic caps.



8. Install the fabric support profiles with the fabric preinstalled on to the rafters. The fabric support profiles go rafter by rafter onto the carriers. They slide over the thread on the bottom of the carriers in place with the nuts. While installing the fabric, you must fasten the nuts simultaneously on the fabric support profiles.

NOTE: While installing the bolts, the gaskets are compressed to create a whole thigh seal. Getting the nuts on could therefore be a challenge.

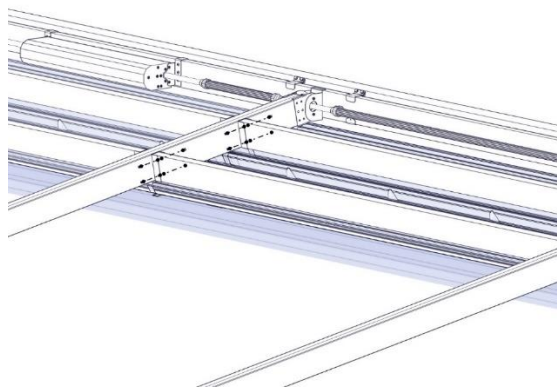
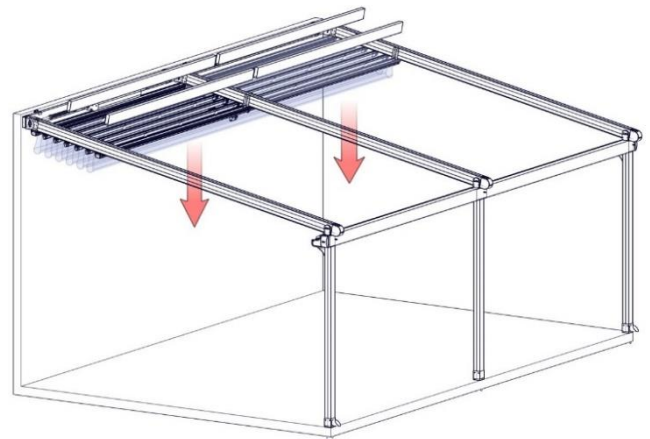
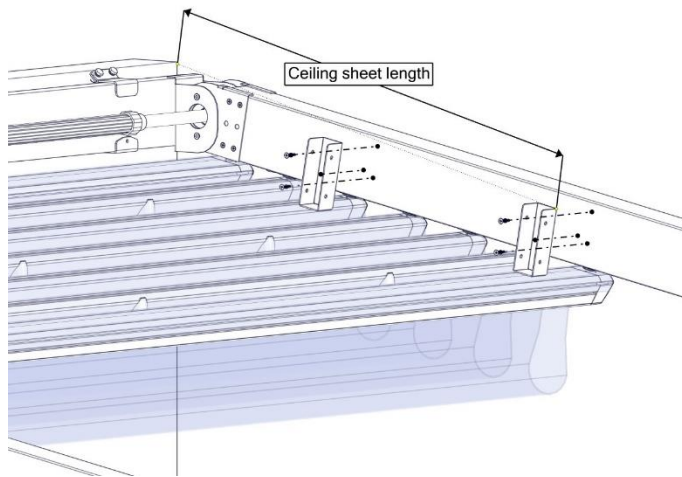
NOTE: We recommend using a lift or multiple persons for installation as the fabric needs to go up as a whole without damage.



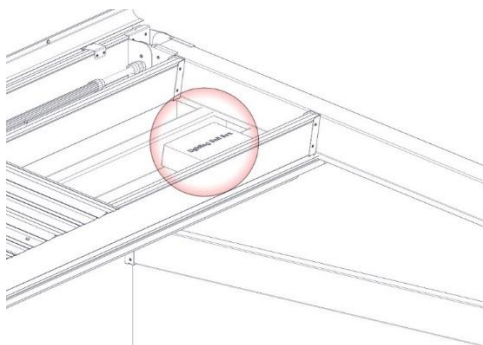


6.3 Installation of cross rafter and ceiling sheets

1. Start with installing the cross rafters: In order to fix the cross rafters, you should define the U bracket position. First you have to check the retractable length of the fabric is within the length of the side cover profile, if correct you can install the U brackets according to that sizing.

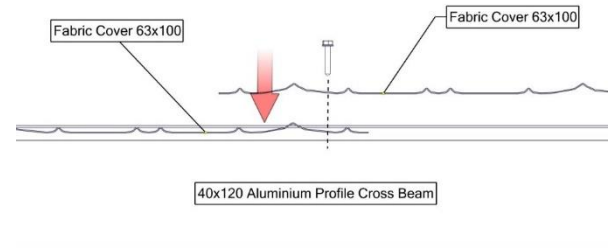
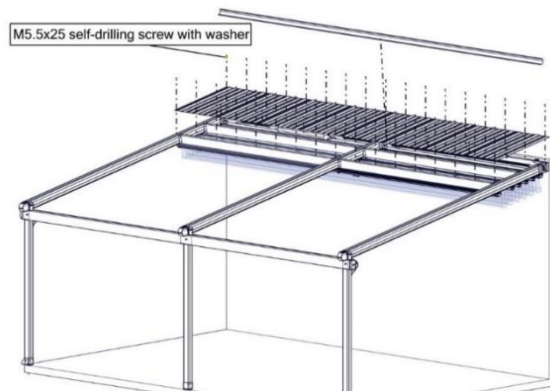


2. OPTIONAL: You can install the optional LED control box to the cross beam.

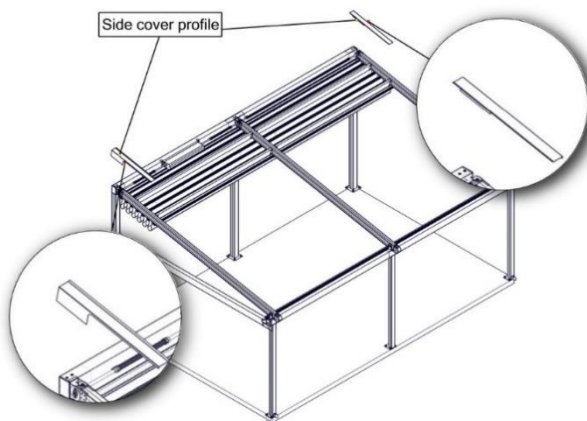




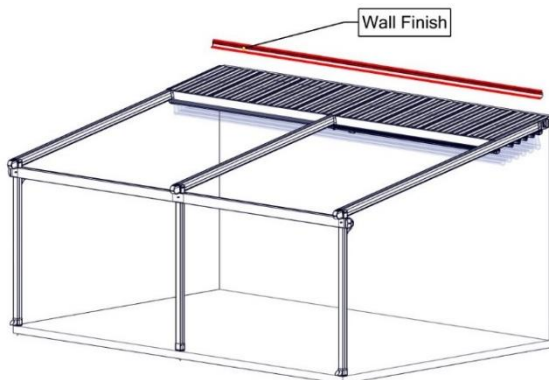
3. Install the ceiling sheets so they overlap and fasten with the selfdrilling screws. Finish with the L profile.



4. After installing the ceiling sheets, you can place the side cover profiles.



5. Wall finish: Before fixing the wall finish profile, apply sealant behind the wall finish profile.





7. Programming instructions

The installation and initial setup procedures are the responsibility of a specialized technician.

Power Supply (230 V AC / 50~60 Hz)

- All wiring must conform to local electrical code.
- The control unit boxes can be wired in PARALLEL.
- There should be a way to disconnect the power at each motor independently.
- Only the control unit needs to be powered. The receiver is completely housed inside of the control unit box.
- Deponti reserves her right to void the motor warranty if wiring recommendations are not followed.
- The control box only works with 230 V AC / 50~60 Hz.

Installation requirements

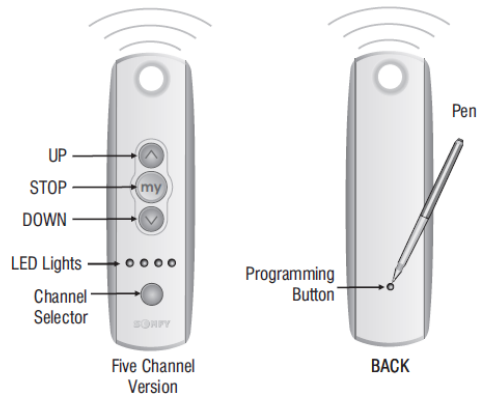
- If the installation is with more than one RTS system, make sure only one RTS system is powered on during programming. All other RTS systems must be disconnected. This will avoid interferences during the initial programming of each motor. Each RTS system has to be programmed individual.
- Use only SOMFY RTS radio controls. The receiver (433,42 MHz) must be programmed with the transmitters.

NOTE: From the Somfy Telis 4 RTS is also a separate “Operating and installation guide” (Ref. 5054465) available on request. Can also be downloaded from the internet by following link: <https://fdocuments.in/reader/full/telis-4-rts>



7.1 Remote control

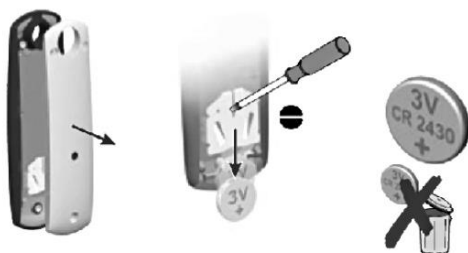
The Deponti Verdeca is integrated with a tubular motor driven with radio control. For opening, closing or stopping the panels you can use the respective buttons of the remote control. (see image below).



Remote control details

Channels:	5
Battery type:	2430 Lithium
Battert voltage:	3V
Thickness:	22mm
Width:	49mm
Height:	145mm
Colour:	Wit
Radio frequence:	433,42 MHz
Radio Range:	20m through walls
Protection index:	IP30
Details:	Shockproof / For indoor use

Replacing the battery



Using a small screwdriver loosen the screws on the reverse side of the remote control and remove the back cover.

Replace the battery with one 2430 Lithium 3V Battery.



7.2 Programming the motor

Step 1: There isn't a control unit box on single motor products. Therefore, you are able to connect this directly to an electric power unit (230V). Notice the motor will not respond to any transmitter until it is assigned to communicate with the motor's receiver.

Step 2: Please select desired channel. To assign the transmitter to communicate with the motor's receiver, push the "UP" and "DOWN" buttons on the transmitter SIMULTANEOUSLY, the motor will jog. The motor records the address of this transmitter, and only this activated transmitter will be recorded into the memory of the motor.

Step 3: Check the direction of operation. The "UP" button must correspond to closing the product. It will stretch the ceiling cover of the pergola. If the direction is wrong, change the direction by pressing "MY" button until the motor jogs (3 seconds)

Step 4: Stop the motor at the desired BACK limit. Align the last fabric support profile to the cross beam.

Step 5: To set the BACK limit, press the "MY" and "UP" buttons SIMULTANEOUSLY for more than 2 seconds. Release the buttons once the product begins to move towards front of the Pergola.

Step 6: Press "MY" button and the motor will stop.

Step 7: Press "MY" button CONSTANTLY until motor jogs to confirm the settings (5 seconds)

Step 8: Finally, press the "PROGRAMING BUTTON" on the back of the transmitter until the motor jogs to leave the installation mode.

NOTE: The front limit doesn't need to be set for single motor product as the motor will stop automatically when fabric is stretch.

7.3 Resetting the motor

Step 1: While provided power to motor unplug for 2 seconds

Step 2: Plug in 10 seconds

Step 3: Unplug 2 seconds

Step 4: Plug in 10 seconds, the motor will jog briefly

Step 5: Press and hold the PROG button on the back of Remote Control for more than 7 seconds until the motor jog briefly 2 times. This removes ALL memorized motor transmitters.



7.4 Programming the LED control panel

Step 1: While there is no power in the control box, power ON and power OFF 5 times max. within 5 seconds.

Step 2: Leave while power ON. The LED lights will blink within 10 seconds.

Step 3: Select a channel from your remote control you desired.

Step 4: Press the 'PROG' button for 2 seconds. The button located on the rear of your remote control.

7.5 Resetting the LED control panel

Step 1: While there is no power in the control box, power ON and power OFF 10 times max. within 10 sec.

Step 2: Leave while power ON. The LED lights will blink within 10 seconds. The lighting controlbox will be reset.

7.6 Using of the Remote control

'UP'-Button: It ensures activate on your lighting system. When you press the UP-button constantly, the LED light will up through DIMMING feature.

'DOWN'-button: It ensures Passive on your lighting system. When you press the DOWN-button constantly, the LED lights will down through DIMMING feature.

Transfer the channel on the current remote control to a different remote control:

1. On the current remote, select which channel you want to transfer.
2. On the current remote, keep the PROG button pressed. (LEDs will be turned on and off)
3. In the new remote, select which channel you want to choose.
4. On the new remote, press and release the PROG button. (LEDs will be turned on and off)



8. FAQ

FAQ	REASON	HOW TO RESOLVE?
The product motor would not start	The motor is not powerful	Check if there is power to the unit control box.
	The motor has no regular current	Disconnect the power and wait for 15 minutes then try to start again.
Lights are not on	Not all lights are on	Check if the product is powered. The power must be disconnected and connected again.
The remote controller does not work	It does not control the product	The battery should be replaced.
	Lights are not on	
There is a leak in the pergola	There is a leak in the pergola installation	Make sure that areas of the system water tightness gaskets are clean (leaves, branches, etc.)

9. Maintenance

We recommend that you maintain and clean your Pergola at least once a year.

Check whether the screw connections are tight. If not, tighten them firmly.

The aluminium profiles that are dirty can be cleaned with lukewarm water and a cleaning product.

- Use a soft brush or sponge.
- Never use abrasives, aggressive solvents or a pressure washer.
- Wet first and rinse off with lots of water, and then wipe with a soft cloth.

10. Disposal of waste

Dispose of the product according to local laws and regulations.



11. Warranty conditions

Warranty in accordance with the warranty conditions and Deponti's general terms and conditions. These can be found on the website www.deponti.com.

Please review the respective articles indicated under the main titles include in the manual for the details of aforementioned special cases. All manufacturing defects are under scope of warranty within the following periods.

Paint (Aluminium Standard Parts)	5 Years *
Motor	5 Years
Motor Parts	2 Years
Electronic Remote Controller and Receivers	2 Years
Electronic Cards, Circuits, Boards	2 Years
LED Lights	2 Years
Plastic Parts	2 Years
Paint (Steel Components Special Parts)	1 Year

** The paint warranty is 2 years under ambient conditions at places that have moisture spray with salty and chemical steam (port, coastline, swimming pool, etc.).*

12. Contact

IMPORTANT: Your Deponti representative is your first point of contact for questions and comments.