

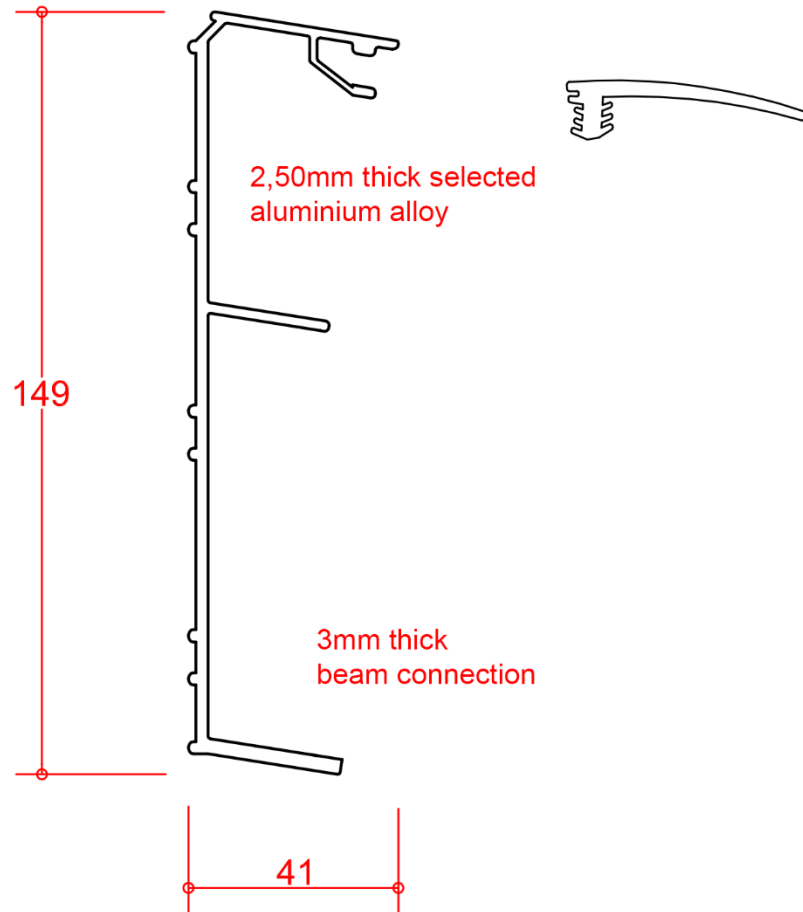
8mm thick selected aluminium alloy

Out of sight welded base plate for easy mounting on existing terraces and concrete footings with screw hole

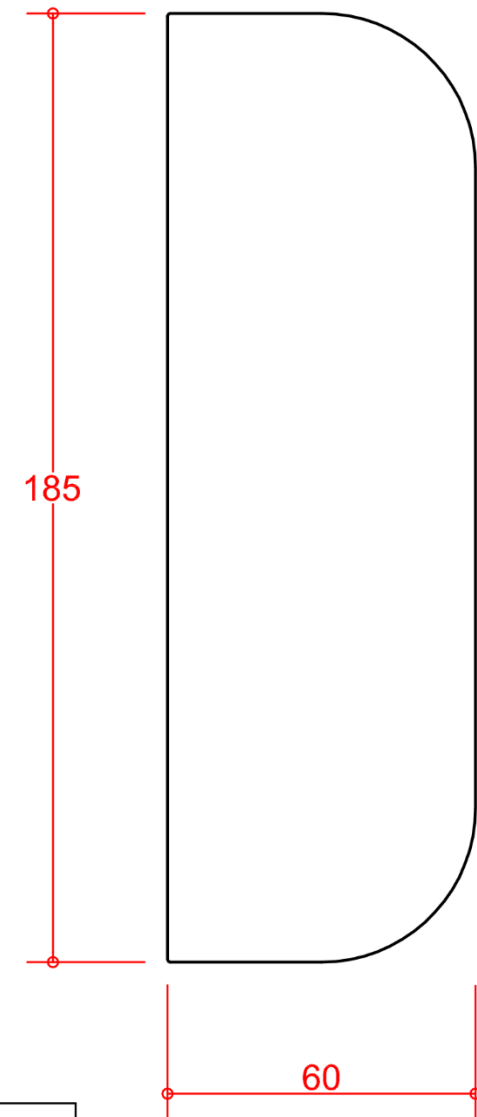
Subject: Technical drawing
 Bosco post and base plate

Date: September 2022

Drainage through sealant profile and integrated roof rubber connection



Aluminium wall profile cover cap for seamless wall connection

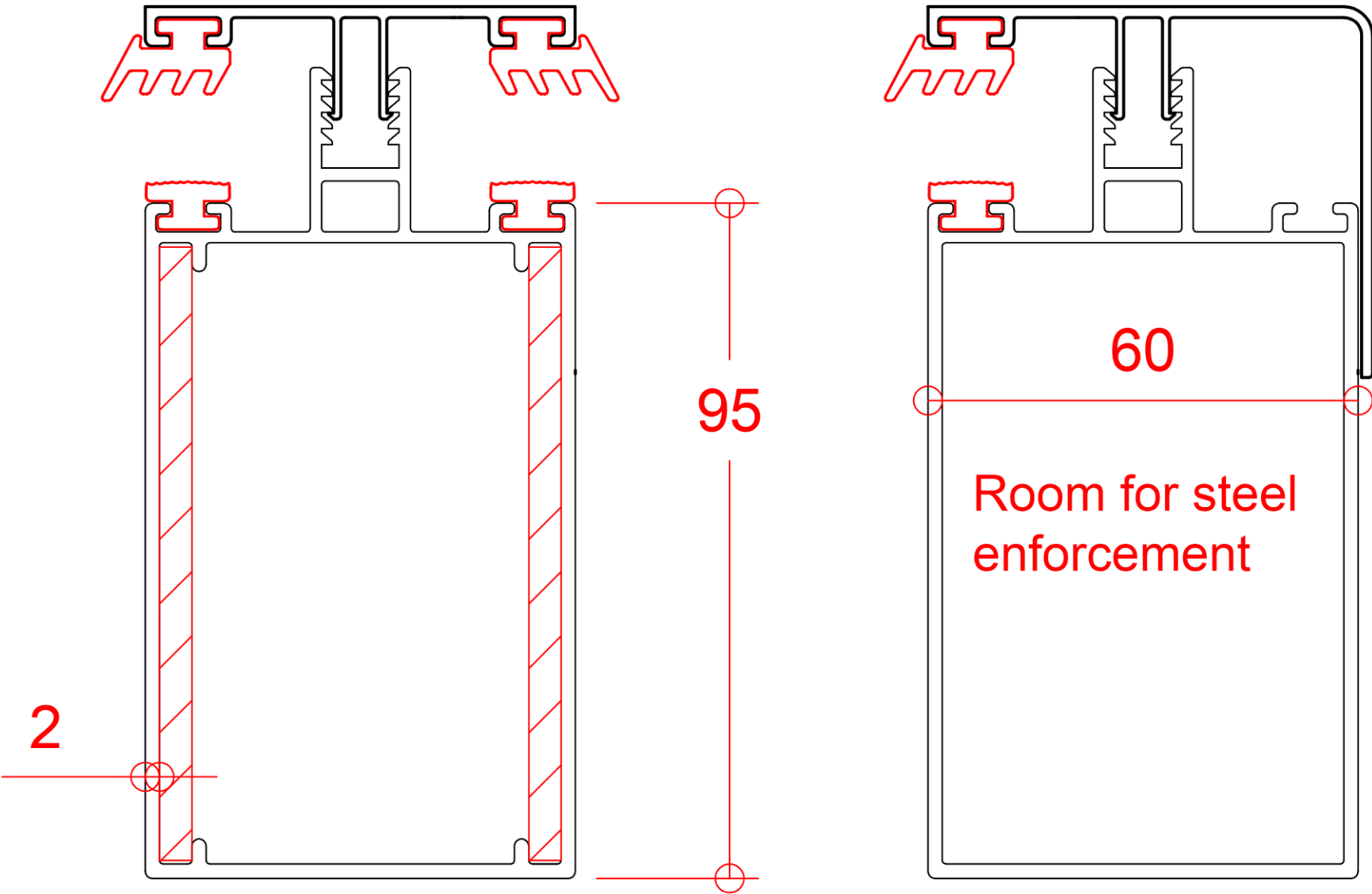


DEPONTI

Subject: Technical drawing
Bosco wall profile

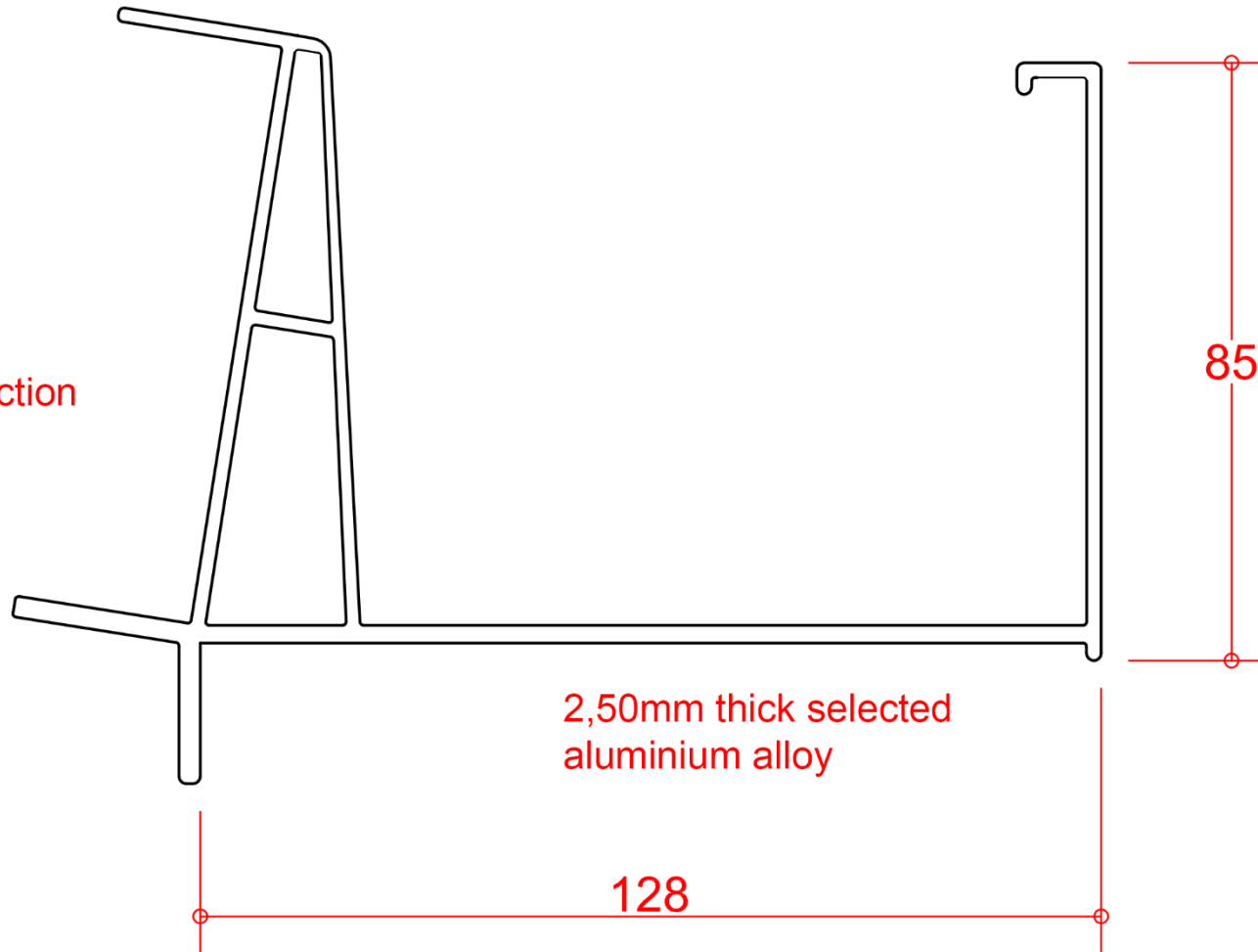
Date: September 2022

Aluminium click strip cover profiles



Subject: Technical drawing Bosco beams and cover profiles	
Date: September 2022	

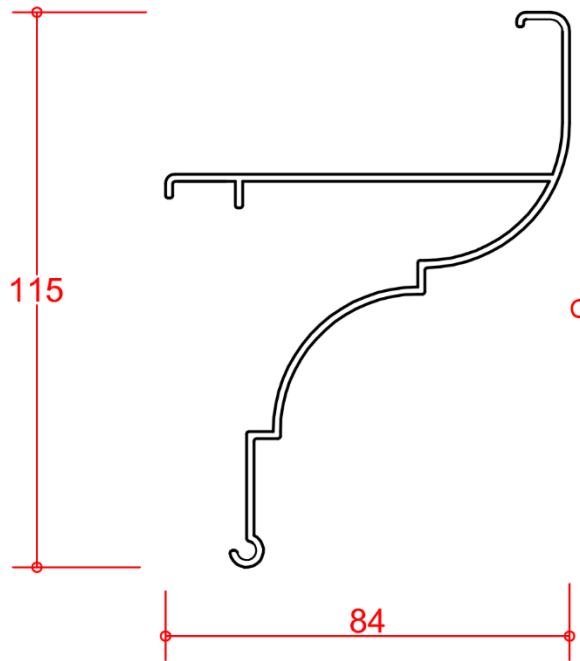
3mm thick
beam connection



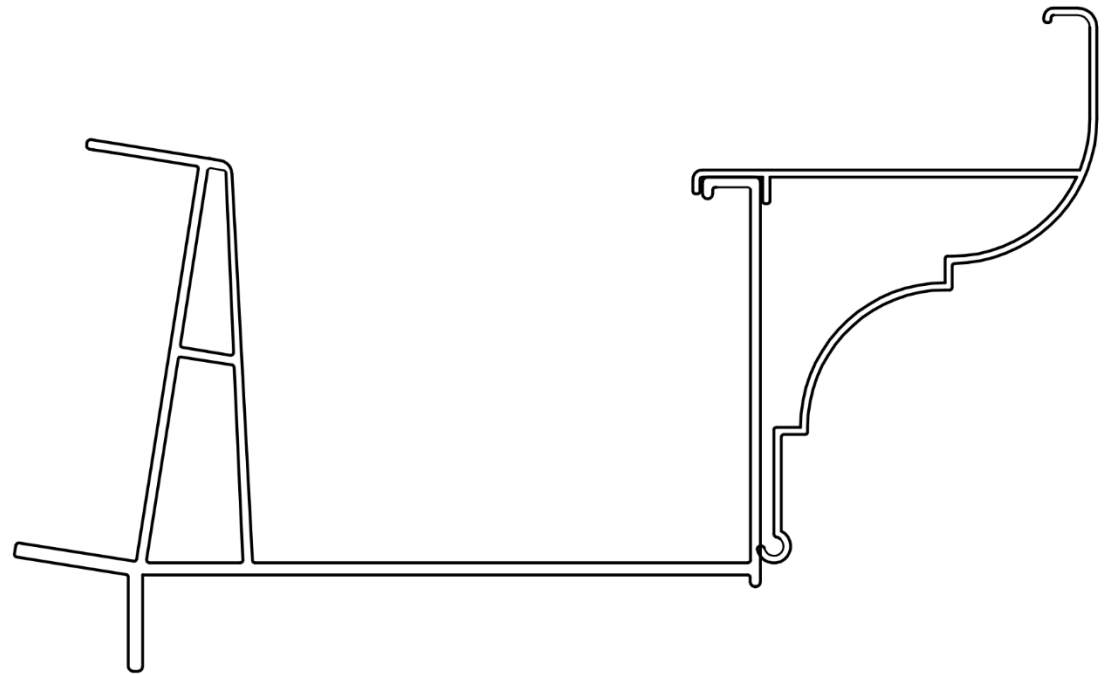
DEPONTI

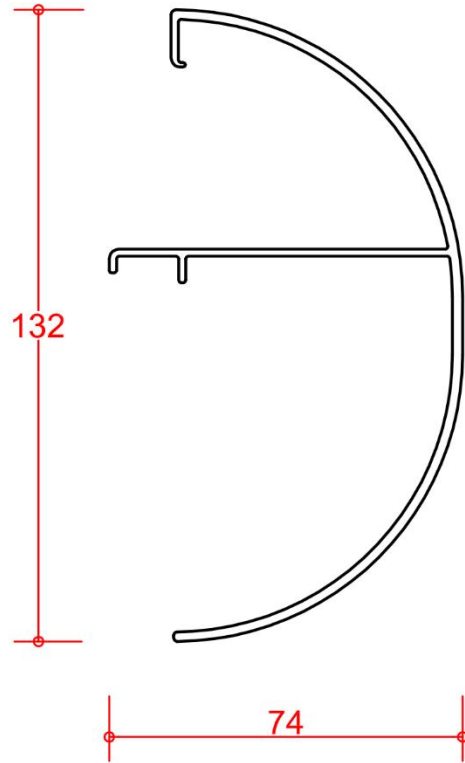
Subject: Technical drawing
Bosco gutter profile

Date: September 2022

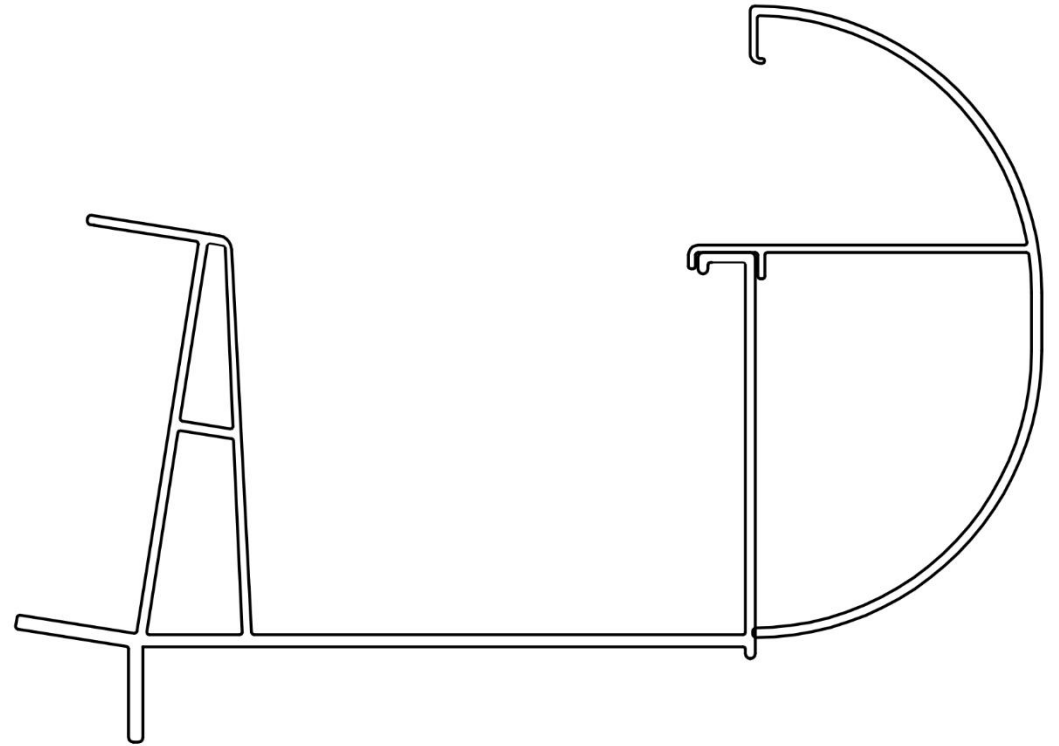


Classic gutter cover



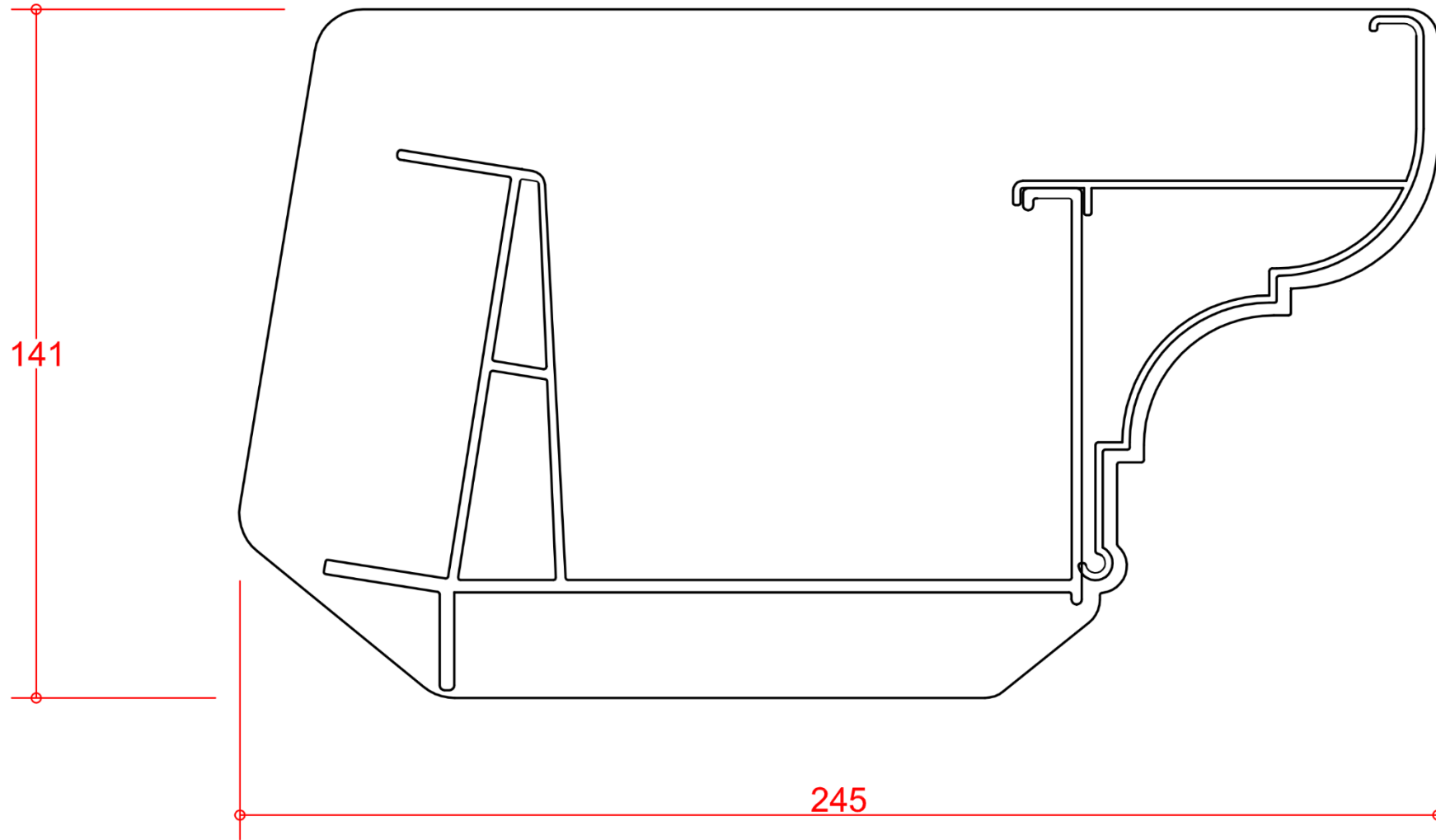


Round gutter cover

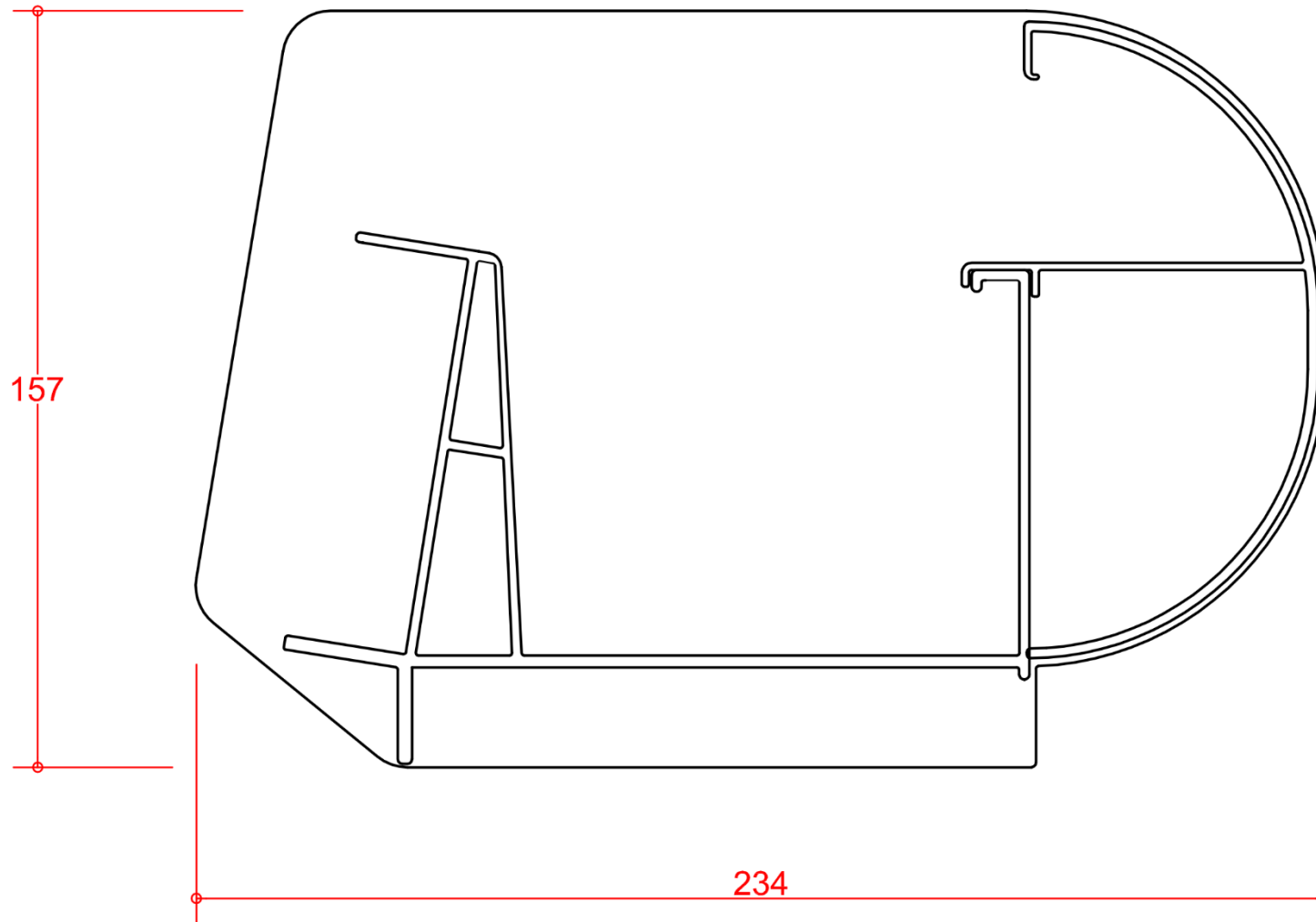


Seamless gutter and beam connection

Side cover for gutter and classic gutter cover



Seamless gutter and beam connection Side cover for gutter and round gutter cover



DEPONTI

Subject: Technical drawing
Bosco side gutter cover round

Date: September 2022